

## DESCRIPTION

AMC MODEL NUMBER SWN-218-2DR OPTION: B02, 503F, B06 HPR40W, GF IS A REFLECTIVE SP2T SWITCH DESIGNED FOR USE AT 5.3 GHz ± 500MHz FREQUENCY RANGE, WITH 80 dB MINIMUM ISOLATION AND 2.5 dB MAXIMUM INSERTION LOSS.

## SPECIFICATIONS

- FREQUENCY RANGE: ..... 5.3 GHz ± 500 MHz
- INSERTION LOSS: ..... 2.5 dB MAXIMUM
- ISOLATION: ..... 80 dB MINIMUM, 90 dB GOAL
- VSWR ..... 2.0:1
- DELAY ON: ..... < 1uS
- DELAY OFF: ..... < 1uS
- POWER INPUT: ..... 40W CW MAX
- CONTROL: ..... TTL LOGIC "0" = J1-J2 ON  
TTL LOGIC "1" = J1-J3 ON
- POWER SUPPLY: ..... +5V @ 100 mA MAXIMUM  
-15V @ 75 mA MAXIMUM

## OPTIONS

- 503F: ..... 5.3 GHz ± 500 MHz
- B02: ..... -15V POWER SUPPLY
- B06: ..... HIGH POWER - SPECIFY CW POWER,  
PEAK POWER, PULSE WIDTH, DUTY CYCLE,
- GF: ..... CUSTOMED DESIGNED PRODUCT FOR CUSTOMER

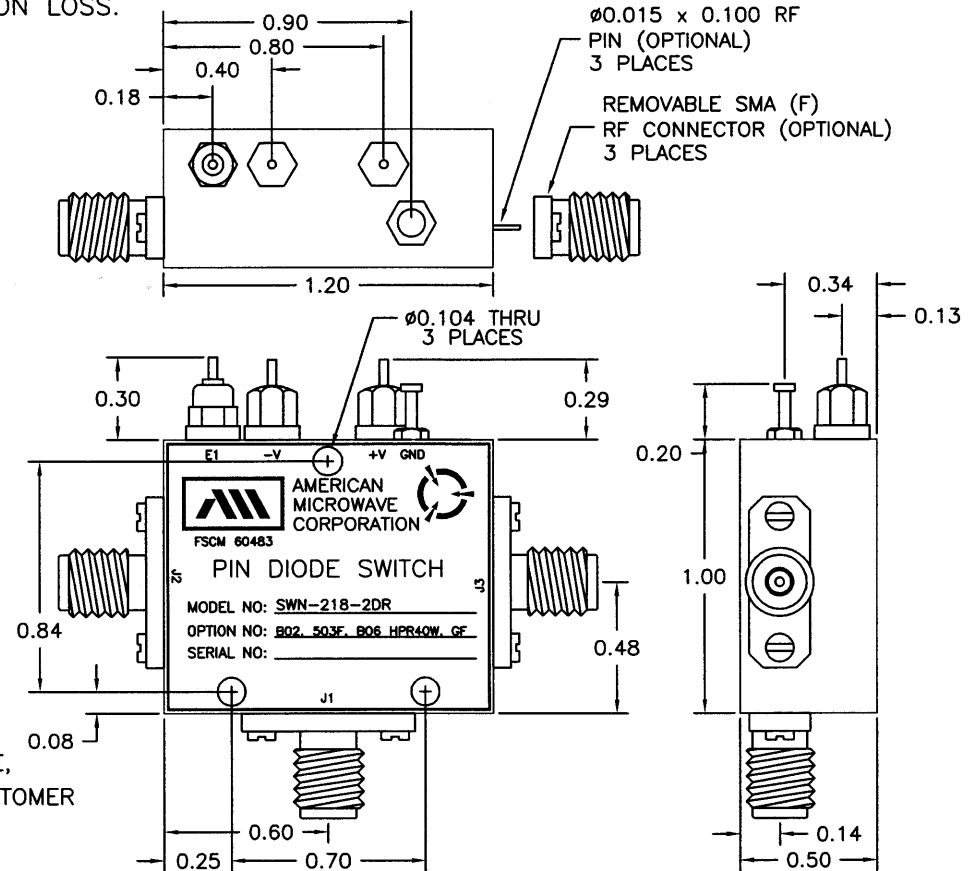
## ENVIRONMENTAL RATINGS

- TEMPERATURE: ..... -55°C TO +85°C (OPERATING)  
-65°C TO +125°C (STORAGE)
- HUMIDITY: ..... MIL-STD-202F, METHOD 103B COND. B
- SHOCK: ..... MIL-STD-202F, METHOD 213B COND. B
- VIBRATION: ..... MIL-STD-202F, METHOD 204D COND. B
- ALTITUDE: ..... MIL-STD-202F, METHOD 105C COND. B
- TEMPERATURE CYCLE: ..... MIL-STD-202F, METHOD 107D COND. A

NOTE: SPECIFICATIONS WILL VARY OVER OPERATING TEMPERATURE  
NOTE: THE ABOVE SPECIFICATIONS ARE SUBJECT TO CHANGE OR REVISION

ALL DIMENSIONS ARE IN INCHES  
TOLERANCES:  
X.XX ±0.020  
X.XXX ±0.010

REVISIONS				
ZONE	REV.	DESCRIPTION	DATE	APPROVED
	-	ORIGINAL RELEASE JOB# 810223E	12/9/04	



## AMERICAN MICROWAVE CORPORATION

7311-G GROVE ROAD  
FREDERICK, MARYLAND 21704 USA  
TEL: 301-662-4700 FAX: 301-662-4938  
WEBSITE: [www.americanmicrowavecorp.com](http://www.americanmicrowavecorp.com)  
E-MAIL: [sales@americanmicrowavecorp.com](mailto:sales@americanmicrowavecorp.com)  
ISO 9001:2000 CERTIFIED

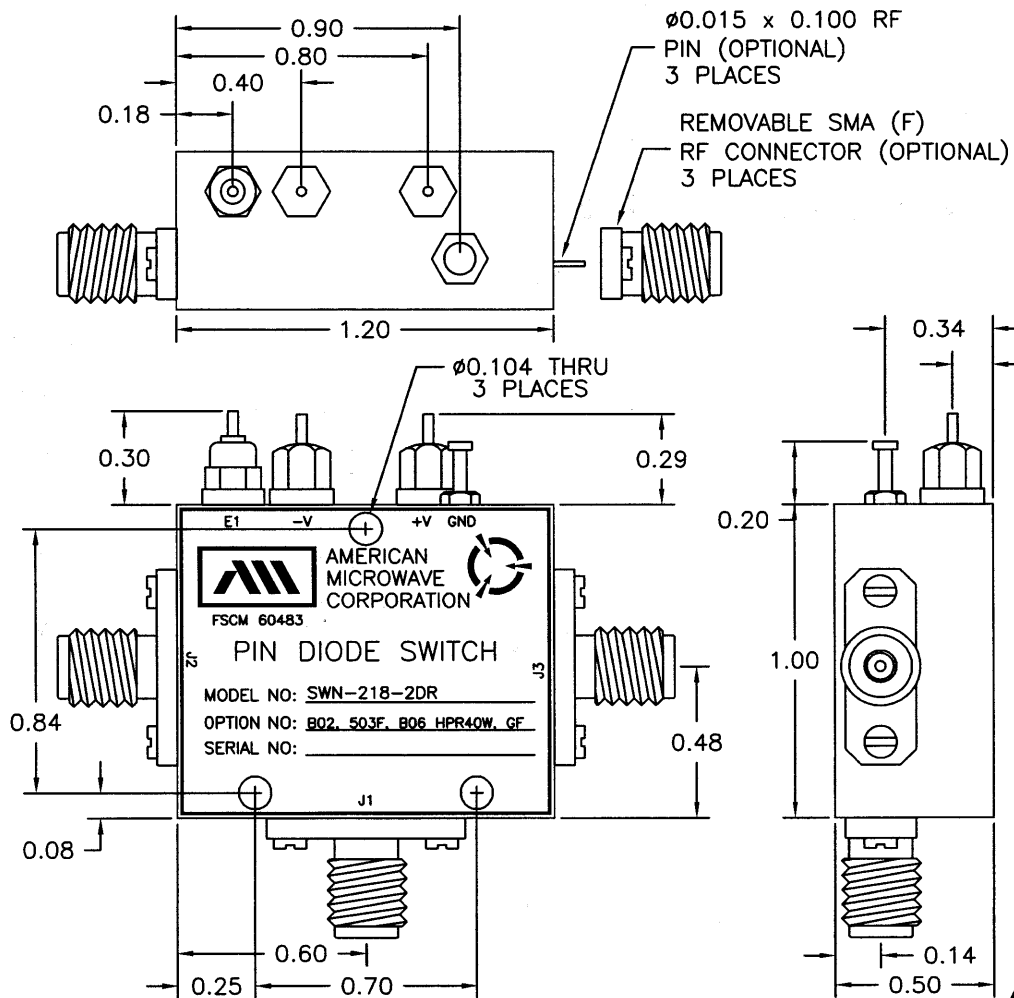


APPROVALS		DATE	TITLE			REV.
DRAWN <i>JKM</i>		12/9/04	PRODUCT FEATURE SWN-218-2DR			-
CHECKED			OPTION: B02, 503F, B06 HPR40W, GF 5.3 GHz ± 500 MHz, SINGLE POLE TWO THROW SWITCH			
ISSUED			SIZE	FSCM NO.	DWG NO.	
			A	60483	100-7223	
			SCALE N:S	SHEET		1 OF 3

# DESCRIPTION

AMC MODEL NUMBER SWN-218-2DR OPTION: B02, 503F, B06 HPR40W, GF IS A REFLECTIVE SP2T SWITCH DESIGNED FOR USE AT 5.3 GHz ± 500MHz FREQUENCY RANGE, WITH 80 dB MINIMUM ISOLATION AND 2.5 dB MAXIMUM INSERTION LOSS.

REVISIONS				
ZONE	REV.	DESCRIPTION	DATE	APPROVED
	-	ORIGINAL RELEASE JOB# 810223E	12/9/04	



# MECHANICAL OUTLINE

ALL DIMENSIONS ARE IN INCHES  
 TOLERANCES:  
 X.XX ±0.020  
 X.XXX ±0.010

## AMERICAN MICROWAVE CORPORATION

7311-G GROVE ROAD  
 FREDERICK, MARYLAND 21704 USA  
 TEL: 301-662-4700 FAX: 301-662-4938  
 WEBSITE: [www.americanmicrowavecorp.com](http://www.americanmicrowavecorp.com)  
 E-MAIL: [sales@americanmicrowavecorp.com](mailto:sales@americanmicrowavecorp.com)  
 ISO 9001:2000 CERTIFIED



APPROVALS		DATE	TITLE		
DRAWN <i>JKM</i>		12/9/04	MECHANICAL OUTLINE SWN-218-2DR		
CHECKED			OPTION: B02, 503F, B06 HPR40W, GF 5.3 GHz ± 500 MHz, SINGLE POLE TWO THROW SWITCH		
ISSUED			SIZE	FSCM NO.	DWG NO.
			A	60483	100-7223
			SCALE N:S		SHEET 2 OF 3